

WMP Protocol Specification

Issue date: 04/2016
r1.2



© 2016 Intesis Software S.L. All rights reserved.

This document has been carefully written by Intesis Software SL. and a lot of effort has been made to ensure no errors or mistakes are present in the document. Intesis Software S.L. is not responsible for printing or clerical errors.

Information in this document is subject to change without notice. No part of this publication may be reproduced, stored in a retrieval system or transmitted in any form or any means electronic or mechanical, including photocopying and recording for any purpose other than the purchaser's personal use without the written permission of Intesis Software S.L.

Intesis Software S.L.
Milà i Fontanals, 1 bis
08700 Igualada
Spain

IntesisBox® is a trademark of Intesis Software SL. Third party product names or company names used in this document may be trademarks of their respective companies. Its use in this document is purely for information purposes only.

Table of contents

Welcome	3
About this document	3
1 Description	4
2 Physical connection	4
3 ASCII messages	5
3.1 ID	5
3.2 INFO	6
3.3 SET	7
3.4 CHN	8
3.5 GET	9
3.6 LOGIN	10
3.7 LOGOUT	11
3.8 CFG	12
3.9 LIMITS	14
3.10 DISCOVER	15
4 Functions and Values	16
5 FAQs and Troubleshooting	17
5.1 What if a non-existing command is sent to the IntesisBox device?	17
5.2 What if a non valid value is sent to the IntesisBox device?	17
5.3 Which is the meaning of the RSSI values?	17
5.4 What if a write request is sent to a read only function?	17
5.5 Is it possible to set multiple commands at the same time?	18
5.6 Is it possible to disable the spontaneous messages sent from the IntesisBox?	18
5.7 Do I need to set the limits everytime the device losts connection or power?	18

Welcome

New WMP protocol will allow third party applications to get in touch with Intesis wireless devices through an IP connection using an ASCII protocol.

Among others, this protocol will allow control and monitoring of:

- On/Off
- Mode
- Set Point Temperature
- Room Temperature
- Fan Speed
- Vane Position.

About this document

This document contains the basis of the WMP protocol for IntesisBox devices and assumes that the reader has deep knowledge on IP, ASCII, wireless and programming concepts.

1 Description

IntesisBox WMP devices establish a TCP connection (**Port 3310**) between the device itself and the BMS, smart hub, home control or any other controller (from now on client) with IP connection enabled. Communication is done through ASCII telegrams.

The IntesisBox device works as a server. That means that it just waits for the client to ask for specific data and it serves this data.

IntesisBox devices allow up to two simultaneous TCP connections using the WMP protocol.

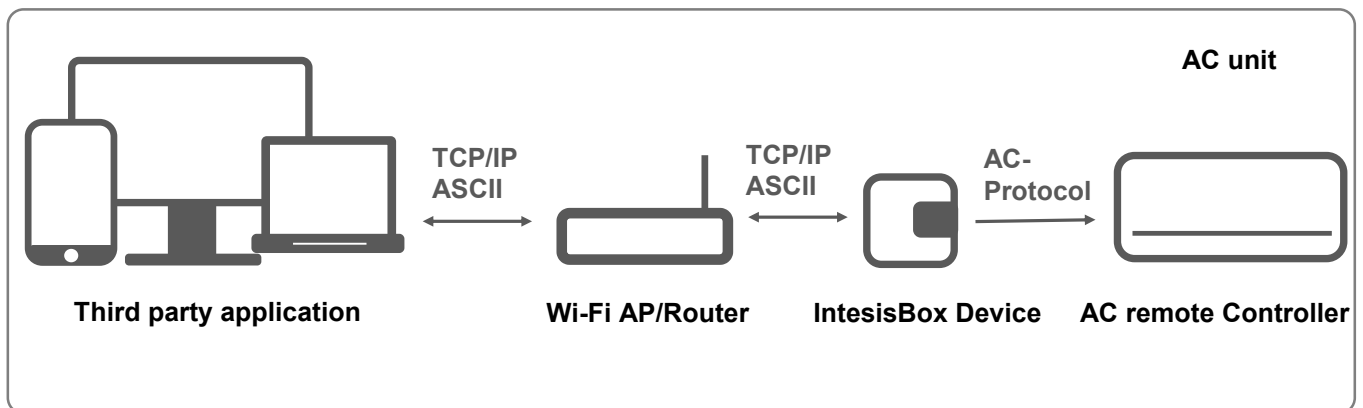


Figure 1-1 System figure

2 Physical connection

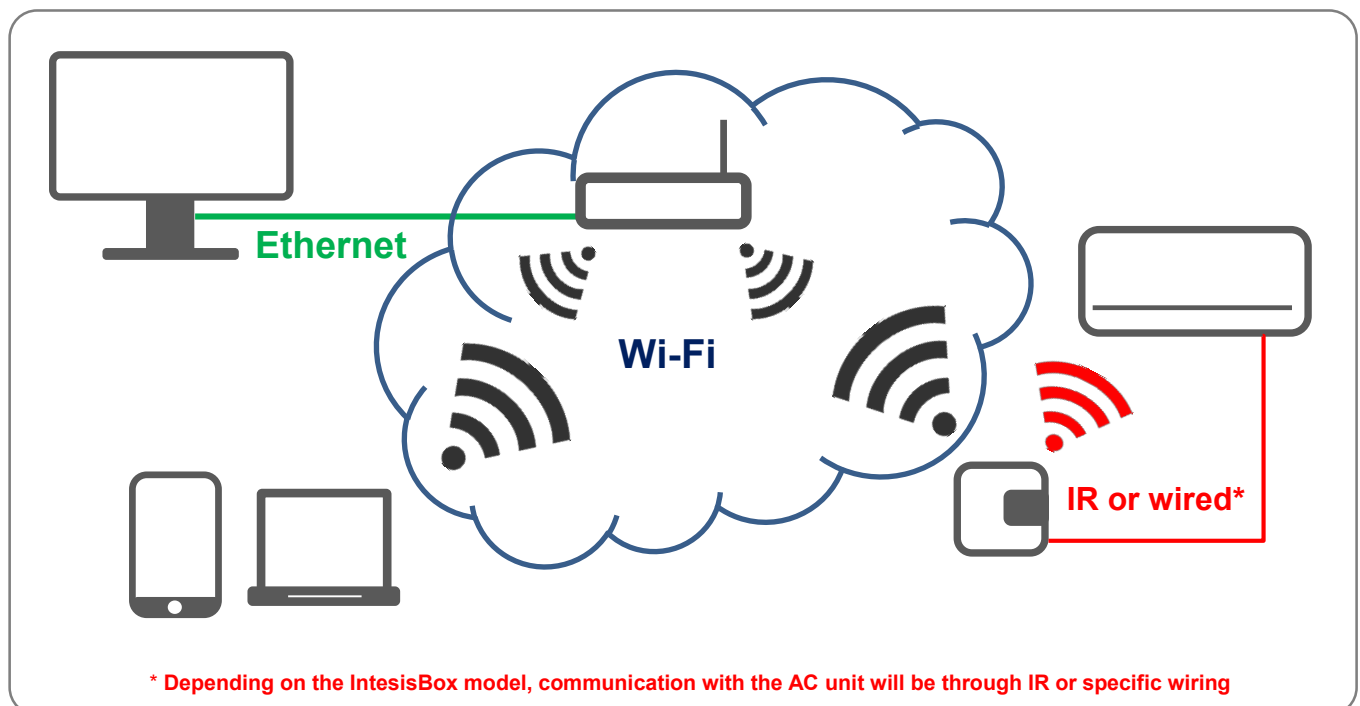


Figure 2-1 Device description

3 ASCII messages

Communication between the IntesisBox device and the client (third party control) is done through ASCII messages.

These messages are composed by a single line with '\r', '\n' or '\r\n' at the end of each line. Capital and non-capital letters are accepted, making no distinction between them.

Each message comes with an example of use.

> character indicates that the message is sent from the client (third party control).

< character indicates that the message is sent from the server (IntesisBox).

Notice that these characters are only shown for a better understanding of the examples and communication procedure, but those are never sent between the IntesisBox and the third party control.

Next, you can find all different types of messages available.

3.1 ID

This command is used to obtain an identification from the IntesisBox device and is sent by the client.

Command sent by the client:

```
ID
```

Answer from the IntesisBox:

```
ID:Model,MAC,IP,Protocol,Version,RSSI
```

Where

- **Model** corresponds to the IntesisBox device model reference
- **MAC** corresponds to the 6 bytes of the MAC address
- **IP** corresponds to the IP address of the IntesisBox
- **Protocol** corresponds to the external protocol supported
- **Version** corresponds to the firmware version running in the device
- **RSSI** corresponds to the Received Signal Strength Indication for the Wi-Fi connection

Example:

```
> ID
< ID:IS-IR-WMP-1,001DC9A2C911,192.168.100.246,ASCII,v0.0.1,-44
```

3.2 INFO

This command is used to obtain information from the IntesisBox device and is sent by the client.

This is not required for communication, but for troubleshooting or when contacting the support department.

Command sent by the client:

```
INFO
```

Answer from the IntesisBox:

```
> INFO
< INFO:RUNVERSION,
< INFO:CFGVERSION,
< INFO:HASH,
```

Where

- **RUNVERSION** corresponds to the Runtime firmware version
- **CFGVERSION** corresponds to the Configuration firmware version
- **HASH** corresponds to internal information of the device

Example:

```
> INFO
< INFO:RUNVERSION,1.0.1
< INFO:CFGVERSION,1.0.1
< INFO:HASH,2000:0106:001F:0104:F4DE
```

3.3 SET

This command is used to control the AC unit through the IntesisBox device and is sent by the client.

Command sent by the client:

```
SET,acNum:function,value
```

Where

- **acNum** is the number of the AC unit to control.¹
- **function** is the name of the function we want to modify. It has to be one of the following:
 - ONOFF: Turns the AC unit On or Off
 - MODE: Sets the mode (heat, cool, fan, dry or auto)²
 - SETPTMP: Sets the set point temperature³
 - FANSP: Sets the fan speed²
 - VANEUD: Sets the Up/Down vane position²
 - VANELR: Sets the Left/Right vane position²
- **value** is the value that you want to apply to each function (check section 4 for detailed values).

Answer from the IntesisBox (only if change is applied):

```
< CHN,acNum:function,value
```

Where

- **CHN** corresponds to the change message identifier
- **acNum** corresponds to the AC unit we are controlling
- **function** corresponds to the function controlled
- **value** corresponds to the value applied (check section 4 for detailed values)

Example:

```
< SET,1:ONOFF,ON  
< ACK  
< CHN,1:ONOFF,ON
```

NOTE: The “<CHN, 1:ONOFF,ON” message will only appear if the status really changes.

¹ Currently only 1 is enabled.

² Availability for each mode will depend on your AC unit. Please check your AC user manual for more information.

³ Valid temperature values may depend on your AC unit. Please check your AC user manual for more information.

3.4 CHN

This command is used to get notifications of changes in the current status of a specific function of the IntesisBox device. This message is sent spontaneously by the IntesisBox itself.

Message sent from the IntesisBox (only if change is applied):

```
< CHN,acNum:function,value
```

Where

- **acNum** corresponds to the AC unit we are controlling
- **function** corresponds to the function monitored. It has to be one of the following:
 - ONOFF: Shows the AC unit On or Off
 - MODE: Shows the mode (heat, cool, fan, dry or auto)⁴
 - SETPTMP: Shows the set point temperature
 - FANSP: Shows the fan speed ⁴
 - VANEUD: Shows the Up/Down vane position ⁴
 - VANELR: Shows the Left/Right vane position ⁴
 - AMBTMP: Shows the ambient temperature
- **value** corresponds to the current value (check section 4 for detailed values)

Example:

```
< CHN,1:AMBTMP,275
```

⁴ Availability for each mode, fan speed or vane positions will depend on your AC unit. Please check your AC user manual for more information.

3.5 GET

This command is used to get the current status of a specific function. It is sent by the client.

Command sent by the client:

```
GET,acNum:function
```

Answer from the IntesisBox:

```
> GET,acNum:function  
< CHN,acNum:function,value
```

Where

- **acNum** corresponds to the AC unit we are controlling
- **function** corresponds to the function monitored. It has to be one of the following:
 - ONOFF: Shows the AC unit On or Off
 - MODE: Shows the mode (heat, cool, fan, dry or auto)⁵
 - SETPTMP: Shows the set point temperature
 - FANSP: Shows the fan speed ⁷
 - VANEUD: Shows the Up/Down vane position ⁷
 - VANELR: Shows the Left/Right vane position ⁷
 - AMBTMP: Shows the ambient temperature
 - * : Show all previous function status
- **value** corresponds to the current function value (check section 4 for detailed values)

Example:

```
> GET,1:MODE  
< CHN,1:MODE,AUTO
```

⁵ Availability for each mode will depend on your AC unit. Please check your AC user manual for more information.

3.6 LOGIN

This command is used to start secure communication between the IntesisBox interface and the client and it is sent by the client.

Notice that secure communication is **only required** if an extra security encryption mode is required apart from the Wi-Fi standard encryption used by the Wi-Fi Access Point or Router.

Command sent by the client:

```
LOGIN:password
```

Where

- **password** stands for a 128 bits number expressed in hex mode.

Answer from the IntesisBox:

```
> LOGIN:3B673FB91600D7E42FB5A59BA3DDB5F8  
< M0:858AB0E03E80BC069E292A78047575FF  
> M1:56435713ECA6546A7E250504BEE059D5  
< OK
```

For more information about encryption and security levels, please contact us through support@intesisbox.com

3.7 LOGOUT

This command is used to close the secure session opened between the IntesisBox device and the client. It is sent by the client.

Command sent by the client:

```
LOGOUT
```

Answer from the IntesisBox:

If there was an opened session, device will ask with an OK. Otherwise it will answer with an ERR.

```
> LOGOUT  
< OK
```

If the logout has been successful, communications will be again on a non-secure mode.

Example:

```
> LOGOUT  
< OK
```

For more information about encryption and security levels, please contact us through support@intesisbox.com

3.8 CFG

This command is used to get or modify configuration parameters. It is sent by the client.

Command sent to modify a configuration parameter is:

```
CFG:configItem,value
```

Where

- **configItem** corresponds to the configuration item.
- **value** corresponds to the current value on the configuration item.

Command sent by the client to get a configuration parameter:

```
CFG:configItem
```

Item	Value	Description
RDOMAIN ⁶	FCC	FCC Regulation Domain. Channels 1 to 11.
	ETSI	ETSI v1.8.1 Regulation Domain. Channels 1 to 13.
	JAPAN	Japan Regulation Domain. Channels 1 to 14.
	Default	FCC Regulation domain.
PIN	Any 8 decimal digit combination	PIN to be used when starting the session.
	*	Special value to establish the default PIN.
SECURITYLEVEL	NONE	Security not enabled.
	CFGONLY	Security enabled only for configuration messages.
	ALL	Security enabled for all messages
DATETIME	DD/MM/YYYY HH:NN:SS	Current date and time, without time zone.

⁶ IntesisBox device needs to be reset in order to apply this setting. Simply unplug and plug the device so the new settings apply.

Examples:

Setting a new PIN

```
> CFG:PIN,12345678  
< OK
```

Setting the default PIN

```
> CFG:PIN,*  
< ACK
```

Getting the current Regulation Domain

```
> CFG:RDOMAIN  
< CFG:RDOMAIN,ETSI
```

Getting the current time stamp

```
> CFG:DATETIME  
< CFG:DATETIME,17/07/2015 09:38:44
```

NOTE: Default PIN is provided along with the device and is individual for each device.

IMPORTANT: Changing the security level implies having a secure communication established by the login procedure (see section 3.6).

3.9 LIMITS

This command is used to get or modify the data point ranges. It is sent by the client.

Command for modifying the ranges:

```
LIMITS:function,range
```

Command for getting the ranges:

```
LIMITS:function
```

Where

- **function** corresponds to the function to limit
- **range** corresponds to limit value for each function

Function	Type	Example	Description
ONOFF	ENUM	[OFF,ON]	ON and OFF values
MODE	ENUM	[AUTO,HEAT,COOL]	AUTO,HEAT and COOL values
FANSP	ENUM	[AUTO,1,2]	AUTO,1 and 2 values
VANEUD	ENUM	[AUTO,SWING]	AUTO and SWING values
VANELR	ENUM	[AUTO,SWING]	AUTO and SWING values
SETPTEMP	SCALAR	[160,280]	Inferior limit (16°C) and superior limit (28°C), both included

Answer from the IntesisBox:

```
LIMITS:function,range
```

Examples:

Set point limitation between 18°C and 28°C

```
> LIMITS:SETPTEMP,[180,280]  
< ACK
```

Horizontal vanes can only be set from 1 to 5 positions, with Swing and Auto

```
> LIMITS:VANELR,[AUTO,1,2,3,4,5,SWING]
< ACK
```

Find out the horizontal vanes limits

```
> LIMITS:VANELR
< LIMITS:VANELR,[AUTO,1,2,3,4,5,SWING]
```

3.10 DISCOVER

This command is used to discover IntesisBox gateways in the same network. Notice that this command uses UDP, so UDP ports should be enabled. The specific port where the IntesisBox device is listening to is the 3310, so messages need to be sent into that port. The discover message is sent by the client.

Command sent is:

```
DISCOVER
```

Answer is:

```
> DISCOVER
< Model,MAC,IP,Protocol,Version,RSSI
```

Where

- **Model** corresponds to the IntesisBox device model reference
- **MAC** corresponds to the 6 bytes of the MAC address
- **IP** corresponds to the IP address of the IntesisBox
- **Protocol** corresponds to the external protocol supported
- **Version** corresponds to the firmware version running in the device
- **RSSI** corresponds to the Received Signal Strength Indication for the Wi-Fi connection

Example:

```
> DISCOVER
< IS-IR-WMP-1,001DC9A2C911,192.168.100.246,ASCII,v0.0.1,-44
```


4 Functions and Values

Function	Value	Description
ONOFF	ON	AC unit ON
	OFF	AC unit OFF
MODE	AUTO	AUTO mode
	HEAT	HEAT mode
	DRY	DRY mode
	FAN	FAN mode
	COOL	COOL mode
SETPTEMP	See note ⁷	Set Point Temperature (Temp values are multiplied by 10)
FANSP	AUTO	Fan Speed AUTO
	1	Fan Speed 1
	2	Fan Speed 2
	3	Fan Speed 3
	4	Fan Speed 4
	5	Fan Speed 5
	6	Fan Speed 6
	7	Fan Speed 7
	8	Fan Speed 8
VANEUD	AUTO	Vertical Vane Position AUTO
	1	Vertical Vane Position 1
	2	Vertical Vane Position 2
	3	Vertical Vane Position 3
	4	Vertical Vane Position 4
	5	Vertical Vane Position 5
	6	Vertical Vane Position 6
	7	Vertical Vane Position 7
	8	Vertical Vane Position 8
	9	Vertical Vane Position 9
	SWING	Vertical Vane Position Swing
VANELR	AUTO	Horizontal Vane Position Auto
	1	Horizontal Vane Position 1
	2	Horizontal Vane Position 2
	3	Horizontal Vane Position 3
	4	Horizontal Vane Position 4
	5	Horizontal Vane Position 5
	6	Horizontal Vane Position 6
	7	Horizontal Vane Position 7
	8	Horizontal Vane Position 8
	9	Horizontal Vane Position 9
	SWING	Horizontal Vane Position Swing
AMBTEMP	See note ⁸	Ambient Temperature (Temp values are multiplied by 10)

⁷ Valid temperature values may depend on your AC unit. Please check your AC user manual for more information.

⁸ This is a read only register.

5 FAQs and Troubleshooting

5.1 What if a non-existing command is sent to the IntesisBox device?

If a non existing command is sent or if there is a mistake on the syntaxis, the IntesisBox will discard this command and will no notify this error.

5.2 What if a non valid value is sent to the IntesisBox device?

If a non valid value is sent, the IntesisBox will discard this command and will report an error message.

Example:

```
> SET,1:ONOFF,Hello  
< ERR
```

5.3 Which is the meaning of the RSSI values?

The RSSI value will provide information about the signal level at the IntesisBox device location. If RSSI is lower than "Good", we would recommend you to change the IntesisBox location or to improve the Wi-Fi signal with a Wi-Fi repeater.

RSSI Value	Meaning
<-96	Bad
-86 to -95	Weak
-81 to -85	Good
-71 to -81	Very Good
> -70	Excelent

5.4 What if a write request is sent to a read only function?

If a write request is sent to a read only function the IntesisBox will answer as if it was a non valid value sent.

Example:

```
> SET,1:AMBTEMP,210  
< ERR
```

5.5 Is it possible to set multiple commands at the same time?

No, currently you need to set each command individually. That means that if you want to set the AC unit ON at 21°C you need to send one command to turn the AC unit ON and another one to set the Set Point temperature at 21°C.

5.6 Is it possible to disable the spontaneous messages sent from the IntesisBox?

No, currently the spontaneous messages generated by the IntesisBox can't be disabled. That means that all changes on the AC unit will always be reported from the IntesisBox to the client.

5.7 Do I need to set the limits everytime the device loses connection or power?

No, limit values are stored in a non volatile memory, so no need of setting them again after a power failure is required.